

SHEYENNE TELE-BOOM

**OWNERS MANUAL
OPERATOR INSTRUCTIONS
PARTS BOOK**



**701 Lenham Ave. SW – PO Box 647
Cooperstown ND 58425**

1-800-797-1883

701-797-2700 * 701-797-2584 Fax

www.sheyennemfg.com

TABLE OF CONTENTS

<u>DESCRIPTION</u>	<u>PAGE</u>
Reference Information	2
Safety Instructions	3
Assembly Requirements	4
Installing the Tele-Boom	4
Connecting Hydraulics	5
Operating the Tele-Boom	6
Maximum Load Calculations	7 & 8
Parts Section	9 - 12
Tele-Boom & Attachments	13 - 17
Warranty	18 & 19

Reference Information

Write the correct information for your Tele-Boom in the space below.
Always use this number when referring to your Tele-Boom.

Tele-Boom Serial Number _____

Notes: _____

Your Sheyenne Tooling & Manufacturing Dealer: _____

Address: _____

Phone Number: _____

Serial Number Location:

Always use the serial number of the attachment when requesting service information or when ordering parts.
See view A



Safety Instructions:

“Safety is the Operator’s responsibility!”

The Sheyenne Tele-Boom is designed to give maximum safety; but no machine design can prevent operator error or carelessness.

The use of this extremely efficient and maneuverable Tele-Boom requires a qualified operator who understands the working capabilities of both the skid steer and the Tele-Boom.

Safe operation needs a qualified operator!!

- Check that the Quick-Tach levers are in the locked position and the wedges are fully engaged into the holes of the Tele-Boom.
- **DO NOT** permit personnel to be in the work area when operating the skid steer and Tele-Boom.
- **DO NOT** make any adjustments or repairs on the Tele-Boom while the skid steer engine is running.
- When learning to operate the Tele-Boom, do it at a slow rate in an area clear of bystanders.
- **DO NOT** operate the Tele-Boom near powerlines. Give wide clearance to **ALL** utility lines.
- **DO NOT** go near hydraulic leaks. **Always** turn off engine before repairing hydraulic hoses.
- Be aware of work area conditions. ie., excessive slope, obstructions, holes, bumps etc.
- Know the weight of the materials being handled. Avoid exceeding the Rated Operating Capacity of the skid steer and the Tele-Boom model. **Ask your dealer for the lifting graph on load limits and Tele-Boom stress calculations.**

Assembly Requirements:

The Tele-Boom is designed to fit on most quick-tach skid steer loaders and comes fully assembled except for the hoses to the skid steer and a set of couplers. *These are not provided because each skid steer has different placements and types of hydraulic hookups.

Materials Needed:

- 1.) Two (2) pieces of one-half inch (1/2”) by approximately 30 inches long hydraulic hose with one-half inch (1/2”) NPT fittings on both ends. (Hose should be rated at 2500 psi or higher and length may vary dependent on skid steer model.)
 - 2.) One (1) piece “Male” coupler, type depending on skid steer.
 - 3.) One (1) piece “Female” coupler, type depending on skid steer.
- ✓ Assemble couplers to each hose using thread sealing compound.
 - ✓ Assemble each hose assembly from above into the fittings on the Tele-Boom using thread sealing compound.
 - ✓ Allow to dry thoroughly before testing for leaks.

Installing The Tele-Boom:

Always inspect the Quick-Tach and Tele-Boom mount before installation.

Enter the loader.

With the operator in the seat and appropriate safety restraints in place, start the engine.

Raise the lift arms slightly and tilt the skid steer mounting plate forward.

Drive the loader forward until the top edge of the skid steer mounting plate is completely under the top flange of the Tele-Boom. Be sure the Quick-Tach levers do not hit the Tele-Boom. See view **B** next page.



Tilt the skid steer mounting plate backward until the Tele-Boom is slightly off the ground.

Stop the engine and exit the loader.

Push down on the Quick-Tach levers until they are fully engaged in the locked position and wedges are fully extended through the mounting frame holes. See view C above.

Connecting Hydraulics:

The Tele-Boom's hydraulic requirements are four (4) gallons per minute at 600 PSI.

To Connect: Relieve hydraulic pressure. Remove any dirt or debris from the surface of both the male and female couplers, and from the outside diameter of the male coupler. Visually check the couplers for corroding, cracking, damage, or excessive wear. If any of these conditions exist, the coupler(s) must be replaced.

Install the male coupler into the female coupler and vice versa.

To Disconnect: Relieve hydraulic pressure. Rotate the ball release sleeve so that the grooves are aligned with the pins in the female coupler. Push the couplers together to relieve any resistance on the sleeve.

Operating the Tele-Boom:

The Tele-Boom's retracted length is 8 feet 6 inches and extends 20 feet. The Tele-Boom will extend four feet manually and eight feet with the two 48-inch hydraulic cylinders.

The total vertical lifting height varies with machines, but is approximately 30 feet on the majority of machines.

The amount of liftability depends greatly on the angle and length of extension. For example, a much heavier amount can be lifted in a near "straight up" extension mode (retracting the boom all the way down and then lifting straight up), than when extended horizontally "out" from the loader. As with any machinery use, extreme care must be taken to assure safety.

The proper way to lift a load is to first test the load at the desired length to see if the loader is stable. As one tilts the boom upward you are effectively shortening the tipping amount and approximating the lifting capacity of the loader. **EXTREME CAUTION** must be taken as the boom is extended. A small movement of the loader will create a greater movement at the end of the boom. The ground should be relatively free of obstructions and any foreign materials that would cause excessive movement on the end of the boom.

The Tele-Boom should always be retracted and lowered to the ground before the operator leaves the machine.

***Check with dealer for appropriate lift charts to correspond to your loader.**

T-100

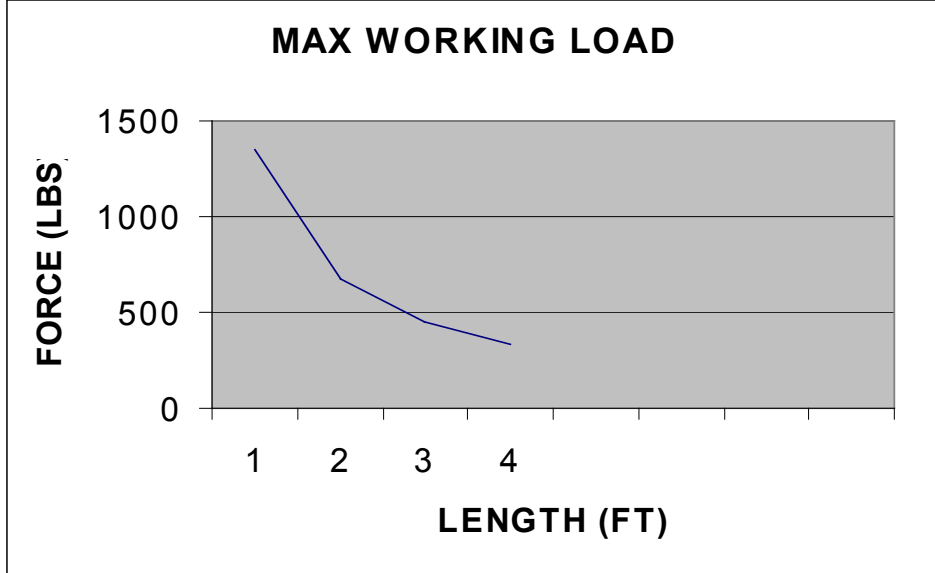
This spreadsheet calculates the max force which may be applied to the 2x2x1/4 wall square tube on the T-100 Sheyenne Tele-Boom. The moment of inertia takes into account the 0.56 inch hole

2x2x1/4

Moment of Inertia (in ⁴)=	0.7624	Corrected for round corners, 0.56 dia hole.
Tensile Strength (psi)=	58000	
Yield Strength (psi)=	46000	
C (in)=	1.085	
Length of Tube (ft)=	1	
	(ft)=	2
	(ft)=	3
	(ft)=	4

Max Force

Safety factor:	2.00
Yielding (lbs)	
1 ft=	1347
2 ft=	673
3 ft=	449
4 ft=	337



2x2x.25B

The above chart is the recommended weights proposed by Sheyenne Tooling & Mfg. Sheyenne Tooling & Mfg has prepared tipping charts on known skidsteers paired with the T-100 or the T-200 Tele-Boom. Contact your dealer for a chart on your skidsteer and your Tele-Boom.

T-200

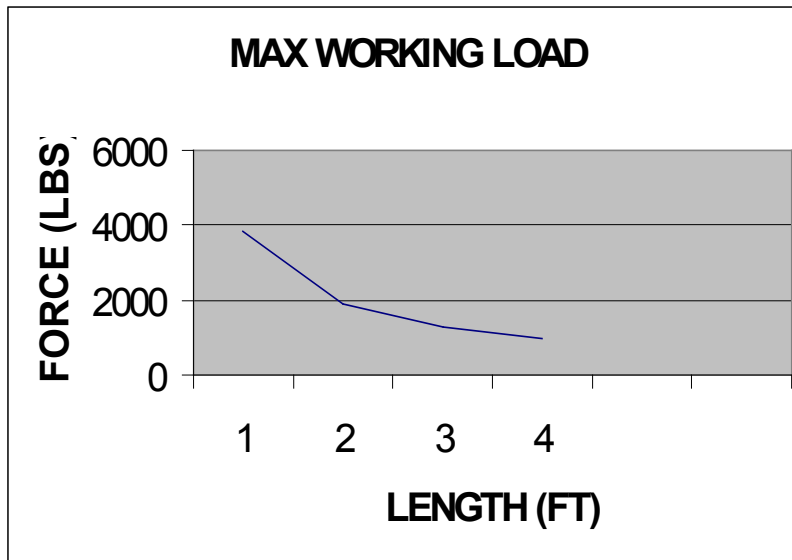
This spreadsheet calculates the max force which may be applied to the 3x3x1/4 wall square tube on the T-200 Sheyenne Tele-Boom. The moment of inertia takes into account the 0.56 inch hole.

3x3x1/4

Moment of Inertia (in ⁴)=	3.152	Corrected for round corners, 0.56 dia hole
Tensile Strength (psi)=	58000	
Yield Strength (psi)=	46000	
C (in)=	1.579	
Length of Tube (ft)=	1	
(ft)=	2	
(ft)=	3	
(ft)=	4	

Max Force

Safety factor: 2	
Yielding (lbs)	
1 ft=	3826
2 ft=	1913
3 ft=	1275
4 ft=	957



3X3X.25B

The above chart is the recommended weights proposed by Sheyenne Tooling & Mfg. Sheyenne Tooling & Mfg has prepared tipping charts on known skidsteers paired with the T-100 or the T-200 Tele-Boom. Contact your dealer for a chart on your skidsteer and your Tele-Boom.

PARTS

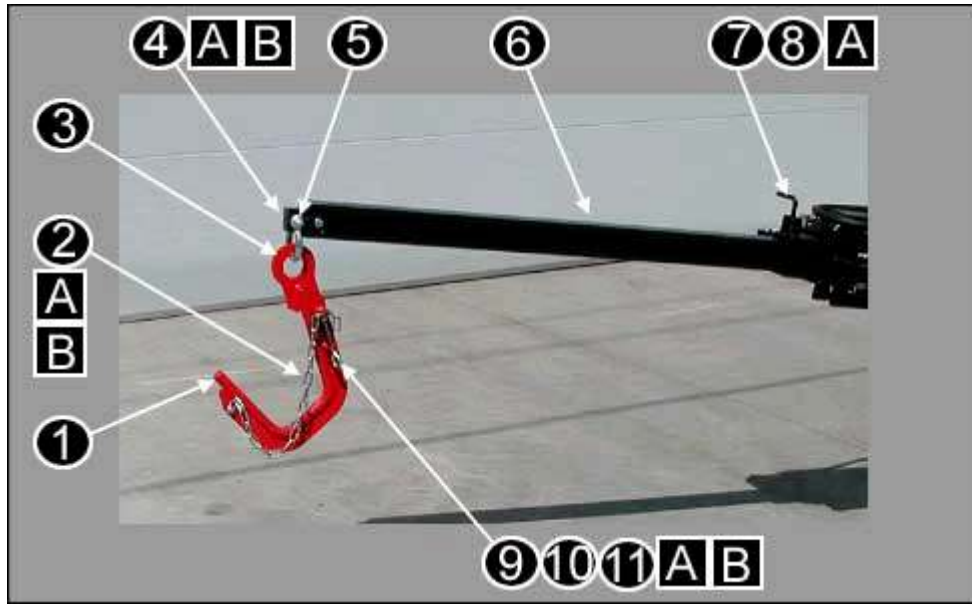
SECTION

-

T-100

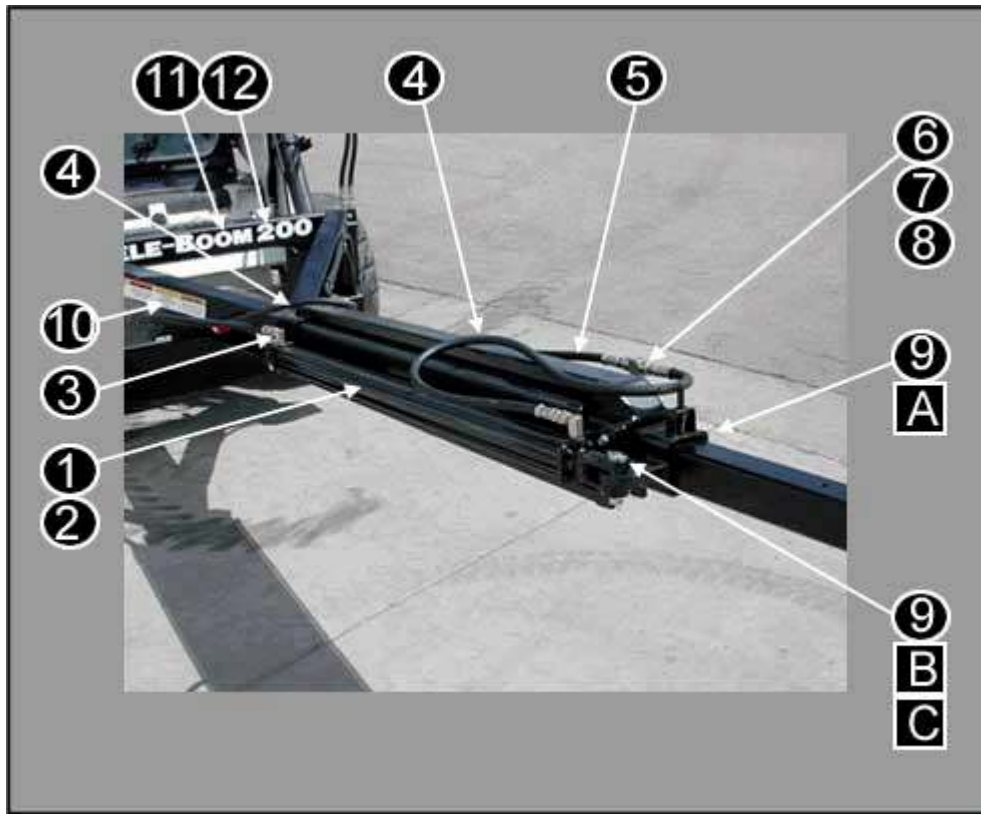
&

T-200

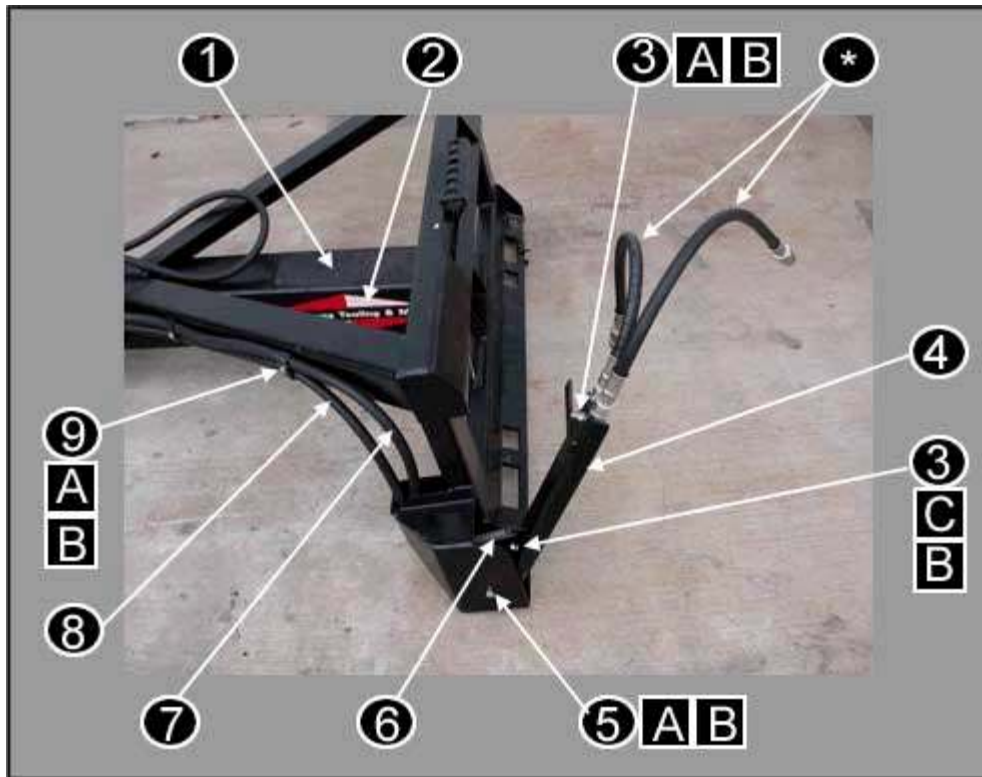


ITEM	PART #	DESCRIPTION	QTY
------	--------	-------------	-----

1	300-2-1008	HOOK WITH SAFETY ASSY	1	
2	300-3-1173	SAFETY CHAIN	1	
2A	900-01055	5/16 X 3/4 BOLT, GR 5	1	
2B	900-06137	5/16 SERR FLANGE NUT	1	
3	300-2-1006	HOOK WLDMT	1	
4	300-3-1138	END LINK	T-100	1
4	300-3-1172	END LINK	T-200	1
4A	900-01237	1/2 X 3 BOLT, GR5	T-100	1
4A	900-01241	1/2 X 3-1/2 BOLT, GR 5	T-200	1
4B	900-06504	1/2NC TOPLOCK NUT		1
5	300-3-1105	CLEVIS & PIN		1
6	300-2-1015	THIRD STAGE EXTENSION		1
7	300-3-1130	ADJUSTING PIN		1
7A	900-29134	3/16 X 1-1/2 ROLL PIN		1
8	200-3-2735	SPRING		1
9	300-3-1148	EYE PIN		1
9A	900-11178	3/8 FLAT WASHER		1
9B	900-23023	1/8 X 3/4 COTTER PIN		1
10	300-3-1149	EYE PIN TUBE		1
11	300-3-1114	EYE PIN SPRING		1



ITEM	PART #	DESCRIPTION	QTY
1	905-21202	2" X 48" HYD CYLINDER W/ PINS	2
2	905-21204	CYLINDER PINS (SEPARATELY)	4
3	904-08025	ELBOW, 8MJ-8MB 90	2
4	904-06043	½ X 59" HOSE, 8FJX-8FJX	2
5	904-06041	½ X 12" HOSE, 8FJX-8FJX	1
6	904-08024	TEE, 8MJ-8MJ-8MB	2
7	-	(NOT USED)	-
8	-	(NOT USED)	-
9	300-3-1150	CYLINDER BRACE (BOTH SIDES)	2
9A	900-03434	3/8 X ½ SERR. FLG BOLT (FAR SIDE)	2
9B	900-06137	3/8 X ¾ SERR. FLANGE BOLT	2
9C	900-06139	3/8-16UNC SERR. FLANGE NUT	2
10	300-3-1103	CAUTION STRIP DECAL	1
11	300-3-1101	TELE-BOOM DECAL	1
12	300-3-1111	NUMBER "2" DECAL	1



ITEM PART # DESCRIPTION QTY

1	300-3-1106	SAFETY TREAD	1
2	300-3-1102	SHEYENNE LOGO DECAL	2
3	310-3-1151	HOSE HOLD DOWN BLOCK	2
3A	900-01067	5/16 X 2 HEX HD BOLT	1
3B	900-06137	5/16 SERR. FLANGE NUT	2
3C	900-01063	5/16 X 1-1/2 HEX HD BOLT	1
4	300-2-1011	HOSE SHIELD	1
5	310-3-1150	HOSE SHIELD BUSHING	1
5A	900-01129	3/8 X 3-1/2 HEX HD BOLT	1
5B	900-06139	3/8 SERR. FLANGE NUT	1
6	310-3-1152	HOSE SHIELD SPRING	1
7	904-06041	1/2 X 123" HOSE, 8FJX-8FJX	1
8	904-06042	1/2 X 75" HOSE, 8FJX-8FJX	1
9	310-3-1167	HOSE CLAMP	2
9A	900-01063	5/16 X 1-1/2 HEX HD BOLT	2
9B	900-06137	5/16 SERR. FLANGE NUT	2

* THESE HOSES AND COUPLERS ARE NORMALLY NOT INCLUDED. SOME HOSE KITS ARE AVAILABLE. CONTACT YOUR DEALER.

TELE-BOOM & ATTACHMENTS

TELE-SAW

303-0-1000

SEE SEPARATE OWNERS MANUAL

PALLET FORK

301-0-1000

SHEET CARRIERS

SHORT

302-0-1000

LONG

302-0-1001

KITS

HOOK-UP HOSES

**TELE-BOOM
T-100 & T-200**

SPECIFICATIONS

UNIT WEIGHT / T-100 - 540 LBS

UNIT WEIGHT / T-200 - 675 LBS

MAXIMUM LOAD CALCULATIONS – SEE PAGES 6 & 7

RETRACTED LENGTH – 8' 6"

EXTENDED LENGTH (BOOM ONLY) – 20' 6"

EXTENDED LENGTH – APPROX 30 FEET W/ SKIDSTEER BOOM LIFTED



**TELE-SAW
MODEL 21**

**SPECIFICATIONS
UNIT WEIGHT – 126 LBS
CUTTING BAR LENGTH – 21”
CHAIN SIZE – .404 PITCH
CHAIN OILER**

**HYDRAULIC REQUIREMENTS – 14 GAL/MIN
ELECTRIC ROTATION – 350 DEGREES
LENGTH – RETRACTED / 13’ 9” – EXTENDED / APPROX 33’ w/ BOOM ARMS**



PALLET FORK

SPECIFICATIONS

UNIT WEIGHT – 78 LBS MAXIMUM LOAD – 600 LBS
FORKS – 32” LONG, 25-1/2” WIDE, 21-1/2” BETWEEN FORKS
STRAIGHT SHANK HEIGHT OF 11”; TOTAL OVERALL HEIGHT OF 33”
CONSTRUCTED OF 2” X 2” SQUARE TUBING



SHEET CARRIER

SPECIFICATIONS

UNIT WEIGHT – 60 LBS

OPEN HEIGHT – 52-1/2" CLOSED HEIGHT – 3"

OPEN WIDTH – 57" CLOSED WIDTH – 24"

UPPER AND LOWER PEGS AVAILABLE IN 5" OR 7-1/2"

CONSTRUCTED OF 1-1/2" X 1-1/2" SQUARE TUBING



Please enter information below and

SAVE FOR FUTURE REFERENCE

TELE-BOOM WARRANTY

SHEYENNE TOOLING & MANUFACTURING warrants each new product to be free from defects in material and workmanship. This warranty is applicable only for the normal service life expectancy of the machine or components, not to exceed twelve consecutive months from the date of delivery of the new SHEYENNE TOOLING & MANUFACTURING product to the original purchaser.

Genuine SHEYENNE TOOLING & MANUFACTURING replacement parts and components will be warranted for 90 days from date of purchase, or the remainder of the original equipment warranty period, whichever is longer.

Under no circumstances will it cover any merchandise or components thereof, which in the opinion of the company, has been subject to negligent handling, misuse, alteration, an accident, or if repairs have been made with parts other than those obtainable through SHEYENNE TOOLING & MANUFACTURING.

The company in no way warrants engines, batteries, tires or other trade accessories since these items are warranted separately by their respective manufacturers.

Our obligation under this warranty shall be limited to repairing or replacing, free of charge to the original purchaser, any part that in our judgement shall show evidence of such defect, provided further that such part shall be returned within thirty (30) days from date of failure to SHEYENNE TOOLING & MANUFACTURING. This warranty shall not be interpreted to render us liable for injury or damages of any kind or nature to person or property.

Except as set forth above, SHEYENNE TOOLING & MANUFACTURING shall have no obligation of liability of any kind on account of any of its equipment and shall not be liable for special or consequential damage. SHEYENNE TOOLING & MANUFACTURING makes no other warranty, express or implied, and, specifically, SHEYENNE TOOLING & MANUFACTURING disclaims any implied warranty of merchantability of fitness for a particular purpose. Some states or provinces do not permit limitations or exclusions of implied warranties of incidental or consequential damages, so the limitations or exclusions in this warranty may not apply.

This warranty is subject to any existing conditions of supply, which may directly affect our ability to obtain materials or manufacture replacement parts.

SHEYENNE TOOLING & MANUFACTURING reserves the right to make improvements in design or changes in specifications at any time, without incurring any obligations to owners of units previously sold.

No one is authorized to alter, modify or enlarge neither this warranty nor the exclusions, limitations and reservations.

I have read and understand the above instructions and warranty. Please complete both copies. **Warranty is invalid until signed and dealer copy is returned to the dealer.**

6/03

Date Purchased _____

Dealership _____

Model Number _____

Serial Number _____

Customer Signature _____

Date _____

Dealer Signature _____

Date _____

Customer Copy

Please enter information below and

SAVE FOR FUTURE REFERENCE

TELE-BOOM WARRANTY

SHEYENNE TOOLING & MANUFACTURING warrants each new product to be free from defects in material and workmanship. This warranty is applicable only for the normal service life expectancy of the machine or components, not to exceed twelve consecutive months from the date of delivery of the new SHEYENNE TOOLING & MANUFACTURING product to the original purchaser.

Genuine SHEYENNE TOOLING & MANUFACTURING replacement parts and components will be warranted for 90 days from date of purchase, or the remainder of the original equipment warranty period, whichever is longer.

Under no circumstances will it cover any merchandise or components thereof, which in the opinion of the company, has been subject to negligent handling, misuse, alteration, an accident, or if repairs have been made with parts other than those obtainable through SHEYENNE TOOLING & MANUFACTURING.

The company in no way warrants engines, batteries, tires or other trade accessories since these items are warranted separately by their respective manufacturers.

Our obligation under this warranty shall be limited to repairing or replacing, free of charge to the original purchaser, any part that in our judgement shall show evidence of such defect, provided further that such part shall be returned within thirty (30) days from date of failure to SHEYENNE TOOLING & MANUFACTURING.

This warranty shall not be interpreted to render us liable for injury or damages of any kind or nature to person or property.

Except as set forth above, SHEYENNE TOOLING & MANUFACTURING shall have no obligation of liability of any kind on account of any of its equipment and shall not be liable for special or consequential damage. SHEYENNE TOOLING & MANUFACTURING makes no other warranty, express or implied, and, specifically, SHEYENNE TOOLING & MANUFACTURING disclaims any implied warranty of merchantability of fitness for a particular purpose. Some states or provinces do not permit limitations or exclusions of implied warranties of incidental or consequential damages, so the limitations or exclusions in this warranty may not apply.

This warranty is subject to any existing conditions of supply, which may directly affect our ability to obtain materials or manufacture replacement parts.

SHEYENNE TOOLING & MANUFACTURING reserves the right to make improvements in design or changes in specifications at any time, without incurring any obligations to owners of units previously sold.

No one is authorized to alter, modify or enlarge neither this warranty nor the exclusions, limitations and reservations.

I have read and understand the above instructions and warranty. Please complete both copies. **Warranty is invalid until signed and dealer copy is returned to the dealer.**

Date Purchased _____

Dealership _____

Model Number _____

Serial Number _____

Customer Signature _____

Date _____

Dealer Signature _____

Date _____

Dealer Copy



701 Lenham Ave. - P.O. Box 647

Cooperstown, ND 58425

Office (701) 797-2700

Fax (701) 797-2584

Toll Free (800) 797-1883

www.sheyennemfg.com