

SHEYENNE SHEET CARRIER

OWNERS MANUAL OPERATORS INSTRUCTION PARTS BOOK



701 Lenham Ave SW * PO Box 647
Cooperstown ND 58425
1-800-797-1883
701-797-2700 * 701-797-2584 Fax
www.sheyennemfg.com

TABLE OF CONTENTS

<u>DESCRIPTION</u>	<u>PAGE</u>
Loading & Safety Instructions	2
Specifications	3
Parts Page	4
Warranty	5

LOADING AND SAFETY

Thank you for choosing the ***SHEYENNE SHEET CARRIER***. It is a unique and very useful attachment to the ***SHEYENNE TELE-BOOM***.

The ***SHEYENNE SHEET CARRIER*** is designed for 4'x 8' sheets. It is also adaptable to carry dimension lumber by adjusting the upper supports or clamps down to as low as 3 inches. The vertical tube assemblies should be positioned wide, then clamped firmly to prevent sliding. These vertical tube assemblies are available in two sizes, 5" support pegs for heavier sheets or the 7-1/2" support pegs for lighter sheets such as insulation. When sheets have been loaded into the carrier be certain to slide the moveable upper supports down to the sheets and clamp firmly with the hand wheels.

Safe handling practices must be followed when loading, clamping, moving, lifting and unloading all materials. The skid steer operator needs to be particularly careful to make all powered movements as smooth as possible. The work area where moving and lifting will happen must be cleared of all personnel. Again, practice safety, it is everyones responsibility!

SHEET CARRIER

SPECIFICATIONS

UNIT WEIGHT – 60 LBS

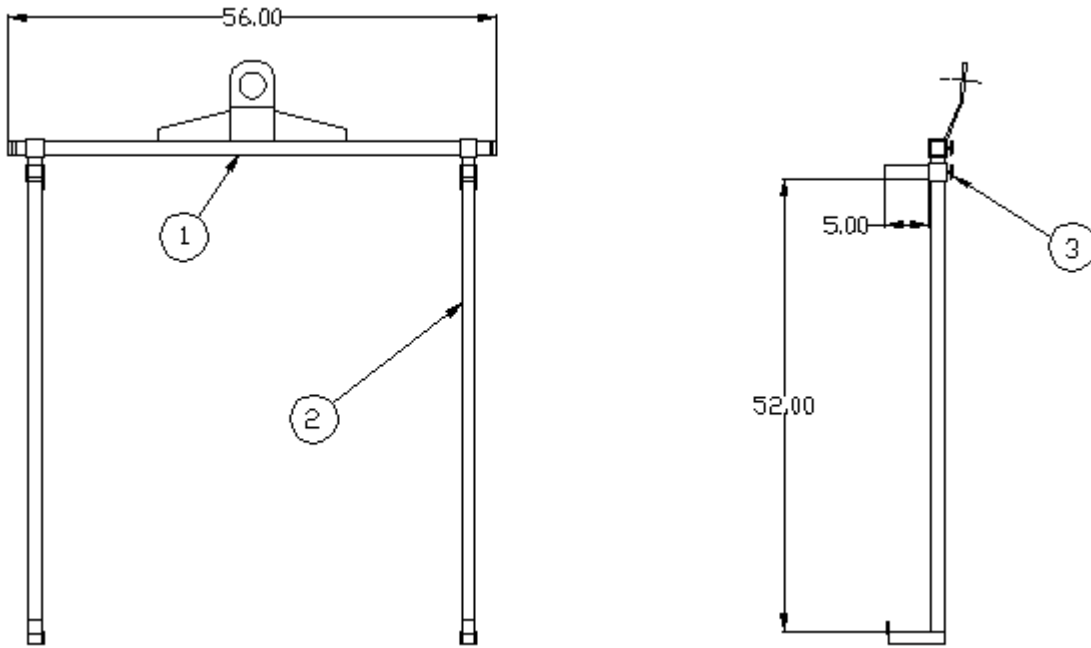
OPEN HEIGHT – 52-1/2" CLOSED HEIGHT – 3"

OPEN WIDTH – 57" CLOSED WIDTH – 24"

UPPER AND LOWER PEGS AVAILABLE IN 5" OR 7-1/2"

CONSTRUCTED OF 1-1/2" X 1-1/2" SQUARE TUBING





ITEM	PART #	DESCRIPTION	QTY
------	--------	-------------	-----

1	302-2-1100	HORIZONTAL LIFT TUBE	1
2	302-2-1101	VERTICAL TUBE ASSY W/ 5" CLAMP	2
2A	302-2-1106	VERTICAL TUBE ASSY W/ 7-1/2" CLAMP	2
3	302-2-1105	HAND WHEEL	4

Please enter information below and

SAVE FOR FUTURE REFERENCE

Date Purchased: _____

Serial Number: _____

Customer: _____

Dealer: _____

WARRANTY

SHEYENNE TOOLING & MFG. warrants each new SHEYENNE TOOLING & MFG. product to be free from defects in material and workmanship. This warranty is applicable only for the normal service life expectancy of the machine or components, not to exceed twelve consecutive months from the date of delivery of the new SHEYENNE TOOLING & MFG. product to the original purchaser.

Genuine SHEYENNE TOOLING & MFG. replacement parts and components will be warranted for 90 days from date of purchase, or the remainder of the original equipment warranty period, whichever is longer.

Under no circumstances will it cover any merchandise or components thereof, which in the opinion of the company, has been subject to negligent handling, misuse, alteration, an accident, or if repairs have been made with parts other than those obtainable through SHEYENNE TOOLING & MFG.

Our obligation under this warranty shall be limited to repairing or replacing, free of charge to the original purchaser, any part that in our judgement shall show evidence of such defect, provided further that such part shall be returned within thirty (30) days from date of failure to SHEYENNE TOOLING & MFG.

This warranty shall not be interpreted to render us liable for injury or damages of any kind or nature to person or property.

Except as set forth above, SHEYENNE TOOLING & MFG. SHALL HAVE NO OBLIGATION OR LIABILITY OF ANY KIND ON ACCOUNT OF ANY OF ITS EQUIPMENT AND SHALL NOT BE LIABLE FOR SPECIAL OR CONSEQUENTIAL DAMAGES, SHEYENNE TOOLING & MFG. MAKES NO OTHER WARRANTY, EXPRESS OR IMPLIED, AND, SPECIFICALLY, SHEYENNE TOOLING & MFG. DISCLAIMS ANY IMPLIED WARRANTY OF MERCHANTABILITY OF FITNESS FOR A PARTICULAR PURPOSE, SOME STATES OR PROVINCES DO NOT PERMIT LIMITATIONS OR EXCLUSIONS OF IMPLIED WARRANTIES OR INCIDENTAL OR CONSEQUENTIAL DAMAGES, SO THE LIMITATIONS OR EXCLUSIONS IN THIS WARRANTY MAY NOT APPLY.

This warranty is subject to any existing conditions of supply, which may directly affect our ability to obtain materials or manufacture replacement parts.

SHEYENNE TOOLING & MFG. reserves the right to make improvements in design or changes in specifications at any time, without incurring any obligations to owners of units previously sold.

No one is authorized to alter, modify or enlarge neither this warranty nor the exclusions, limitations and reservations.

I have read and understand the above instructions and warranty. Warranty is invalid until signed and returned to dealer. Please sign, date and return to your dealer.

CUT HERE

Date: _____

Serial Number: _____

Customer Signature: _____

Dealer Signature: _____



701 Lenham Ave. - P.O. Box 647

Cooperstown, ND 58425

Office (701) 797-2700

Fax (701) 797-2584

Toll Free (800) 797-1883

www.sheyennemfg.com

302-3-1125

4/12